

Quality Symbol
Marked on produ

IS : 14846



CM / L-5158161

MINOTI

SLUICE VALVE

For water works purpose

With certification mark

Size : 50mm to 1200 mm



B I S LICENCE NO. CM/L-5158161



MINOTI ENGINEERING WORKS

32, BAKSARA ROAD, HOWRAH - 711 110, W.B. INDIA.

Cable : "MINOTICO" Santragachi

Phone : 2658 6054 / 1074 (O) 2658 6088 / 2056 (R)

Fax : 033 2658 6054

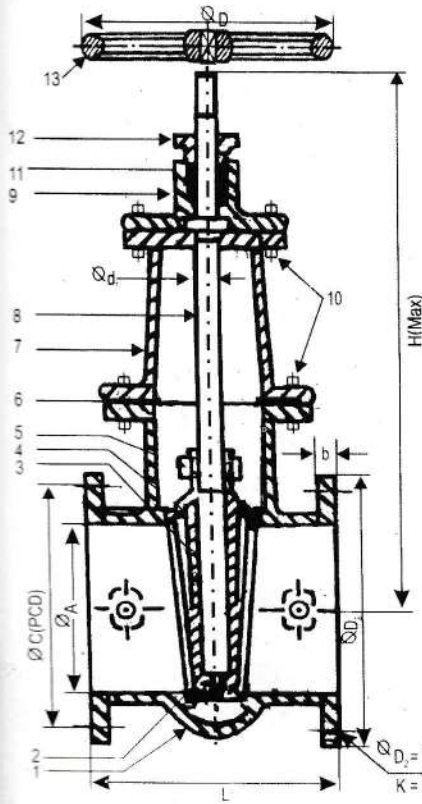


C.I. D.F. SLUICE VALVES

Manufacturing Standard IS : 14846-2000

TECHNICAL DESCRIPTION

'MINOTI' Brand C.I. D.F. Sluice Valve Inside Screw, Non-rising Stem, with Hand-Wheel or Cap. Bearing ISI CERTIFICATION Mark



Ref. Part

1. Body
2. Body Seat Ring
3. Wedge
4. Wedge Seat Ring
5. Stem Nut
6. Gasket
7. Dome
8. Stem
9. Stuffing Box
10. Bolts & Nut
11. Gland Packing
12. Gland
13. Hand Wheel

Extra Accessories (If required)

1. Gearing Arrangement (Bevel or Spur)
2. Locking Arrangement for Hand Wheel
3. Channel & Shoe Arrangement
4. Bye Pass Arrangement
5. Drain Plug
6. Air Relief Plug
7. Head Stock Arrangement
8. Electric Rotary Actuator Arrangement

HYDROSTATIC TEST PRESSURE

| SIZE | PRESSURE RATING | HYDRAULIC TEST PRESSURE |
|------------------|-----------------|--|
| 50 MM TO 1200 MM | PN-1.0 | Body-15 KG/CM ² Seat-10 Kg / CM ² |
| 50 MM TO 600 MM | PN-1.6 | Body-24 KG / CM ² Seat-16 KG / CM ² |

DIMENSIONS :

FOR PN - 1.0 Please See Table 'A'
FOR PN - 1.6 Please See Table 'B'

TABLE 'A' : DIMENSION OF SLUICE VALVES AS PER IS : 14846/2000 FOR NOMINAL PRESSURE PN 1.0

| A SIZE (MM) | L | | | H (MAX.) | D±5 | d ₁ (MIN.) | D ₂ | C | b | K | d ₂ |
|----------------|------|-------|--------|----------|------|-----------------------|----------------|------|------|----|----------------|
| | P.D. | ALT-I | ALT-II | | | | | | | | |
| 50 | 178 | 250 | 215 | 365 | 225 | 22 | 165 | 125 | 16 | 4 | 19 |
| 65 | 190 | 270 | 230 | 380 | 225 | 22 | 186 | 145 | 16 | 4 | 19 |
| 80 | 203 | 280 | 230 | 425 | 225 | 22 | 200 | 160 | 21 | 4 | 19 |
| 100 | 229 | 300 | 255 | 470 | 320 | 27 | 220 | 180 | 22 | 8 | 19 |
| 125 | 254 | 325 | 266 | 485 | 320 | 27 | 250 | 210 | 22.5 | 8 | 19 |
| 150 | 267 | 350 | 280 | 595 | 320 | 27 | 285 | 240 | 23 | 8 | 23 |
| 200 | 292 | 400 | 318 | 725 | 360 | 32 | 340 | 295 | 24.5 | 8 | 23 |
| 250 | 330 | 450 | 365 | 835 | 400 | 36 | 395 | 350 | 26 | 12 | 23 |
| 300 | 356 | 500 | 380 | 910 | 400 | 36 | 445 | 400 | 27.5 | 12 | 23 |
| 350 | 381 | 550 | - | 1020 | 500 | 37 | 505 | 460 | 29 | 16 | 23 |
| 400 | 406 | 600 | - | 1110 | 640 | 42 | 565 | 515 | 30 | 16 | 28 |
| 450 | 432 | 650 | - | 1200 | 720 | 47 | 615 | 565 | 31.5 | 20 | 28 |
| 500 | 457 | 700 | - | 1300 | 720 | 47 | 670 | 620 | 33 | 20 | 28 |
| 600 | 508 | 800 | - | 1500 | 720 | 47 | 780 | 725 | 36 | 20 | 31 |
| 700 | 610 | 900 | 1130 | 1670 | 800 | 62 | 895 | 840 | 38.5 | 24 | 31 |
| 750 | 610 | 950 | 1200 | 1780 | 900 | 67 | 960 | 900 | 40 | 24 | 31 |
| 800 | 660 | 1000 | 1250 | 1930 | 900 | 67 | 1015 | 950 | 41.5 | 24 | 34 |
| 900 | 711 | 1100 | 1380 | 2080 | 900 | 77 | 1115 | 1050 | 44 | 28 | 34 |
| 1000 | 811 | 1200 | 1500 | 2200 | 900 | 77 | 1230 | 1160 | 47 | 28 | 37 |
| 1100 | - | - | 1650 | 2450 | 1000 | 87 | 1340 | 1270 | 50 | 32 | 37 |
| 1200 | - | - | 1800 | 2580 | 1000 | 87 | 1455 | 1380 | 53 | 32 | 40 |

TABLE 'B' : DIMENSION OF SLUICE VALVES AS PER IS : 14846/2000 FOR NOMINAL PRESSURE PN 1.6

| A SIZE (MM) | L | | | H (MAX.) | D±5 | d ₁ (MIN.) | D ₂ | C | b | K | d ₂ |
|----------------|------|-------|--------|----------|-----|-----------------------|----------------|-----|------|----|----------------|
| | P.D. | ALT-I | ALT-II | | | | | | | | |
| 50 | 178 | 250 | 215 | 365 | 280 | 22 | 165 | 125 | 16 | 4 | 19 |
| 65 | 190 | 270 | 230 | 380 | 280 | 22 | 185 | 145 | 18 | 4 | 19 |
| 80 | 203 | 280 | 230 | 425 | 280 | 22 | 200 | 160 | 21 | 4 | 19 |
| 100 | 229 | 300 | 255 | 470 | 360 | 27 | 220 | 180 | 22 | 8 | 19 |
| 125 | 254 | 325 | 266 | 485 | 360 | 27 | 250 | 210 | 22.5 | 8 | 19 |
| 150 | 267 | 350 | 280 | 595 | 360 | 27 | 285 | 240 | 23 | 8 | 23 |
| 200 | 292 | 400 | 318 | 725 | 450 | 32 | 340 | 295 | 24.5 | 8 | 23 |
| 250 | 330 | 450 | 355 | 835 | 640 | 36 | 395 | 350 | 26 | 12 | 23 |
| 300 | 356 | 500 | 380 | 910 | 640 | 36 | 445 | 400 | 27.5 | 12 | 23 |
| 350 | 381 | 550 | 690 | 1030 | 640 | 42 | 505 | 460 | 29 | 16 | 23 |
| 400 | 406 | 600 | 750 | 1110 | 730 | 47 | 565 | 515 | 30 | 16 | 28 |
| 450 | 432 | 650 | 820 | 1210 | 800 | 52 | 615 | 565 | 31.5 | 20 | 28 |
| 500 | 457 | 700 | 880 | 1340 | 800 | 52 | 670 | 620 | 33 | 20 | 28 |
| 600 | 508 | 800 | 1000 | 1500 | 800 | 57 | 780 | 725 | 36 | 20 | 31 |

ALL DIMENSIONS ARE IN MM.