

MINOTI

®

AIR VALVES



MINOTI ENGINEERING WORKS

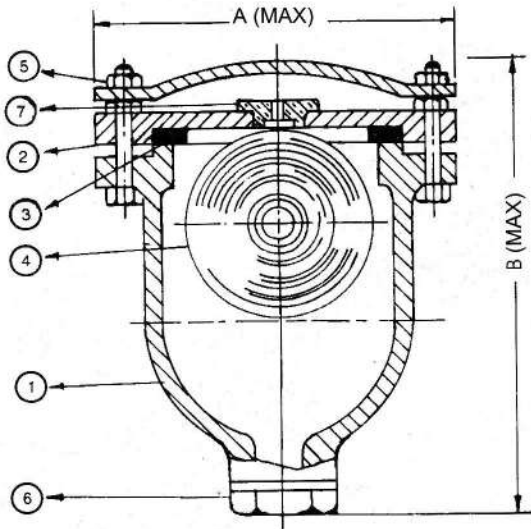


MINOTI

C. I. SINGLE AIR VALVE

AS PER G & K CATALOGUE FIG NO.H- 4

This Air Valve with small orifice to release air under working pressure.



MATERIAL SPECIFICATION

Item No.	Description	Material and Spcn.
1.	Body	C. I., IS.: 210 FG- 200/260
2.	Splash Cover	- do -
3.	Gasket	Rubber
4.	Float	Seasoned Wood, Covered with Natural/Synthetic Rubber
5.	Bolts & Nut	Carbon Steel
6.	Ferrule	M. S./ C. I. / Brass
7.	Orifice Plug	Brass

DIMENSION TABLE

All Dimensions are in m.m.

SIZE	A (MAX)	B (MAX)
15	196	200
20	196	216
25	196	235
40	196	250

Hydrostatic Test Pressure

Body	15 & 24Kg./ Cm ² (g)
Seat	10 & 16 Kg. /Cm ² (g)

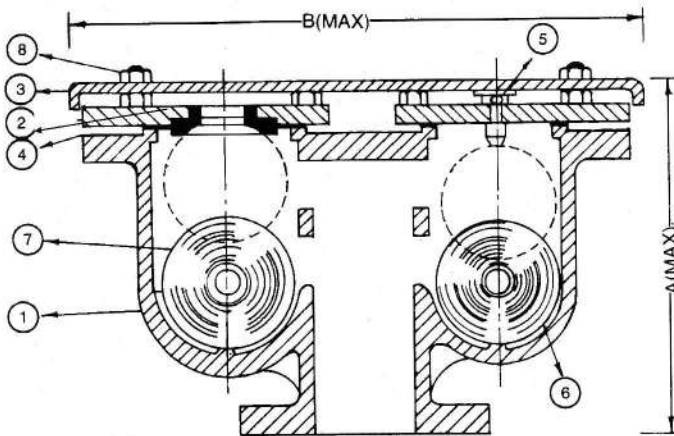
Special Feature : Drain Cock with or without Nipple, Ball with varied construction may be provided as per Customer's requirement.

Optional Accessories : Isolating Cock can be screwed to the inlet end for isolation during replacement / changes of Ball / Plug etc.

C. I. DOUBLE AIR VALVE

AS PER G & K CATALOGUE FIG NO.H-7

This simple type Double Air Valve with two orifices of different size in one casting.



MATERIAL SPECIFICATION

Item No.	Description	Material and Spcn.
1.	Body	C. I. IS.: 210 FG - 200/260
2.	Splash Cover	- do -
3.	Dust Cover	- do -
4.	Gasket	Rubber
5.	Air Nipple	Brass
6.	Float	Seasoned Wood, Covered with Natural/Synthetic Rubber
7.	Float	Seasoned Wood, vulcanite covered
8.	Bolts & Nut	Carbon Steel, IS :1367 C.L.- 4.6 & C.L.- 4

DIMENSION TABLE

All Dimensions are in m.m.

SIZE	A(MAX)	B(MAX)
40	228	188x230
50	254	215x374
80	260	222x444
100	330	279x527
150	482	374x654
200	587	520x800

Hydrostatic Test Pressure

Body	15 & 24 Kg./Cm ² (g)
Seat	10 & 16 Kg./Cm ² (g)

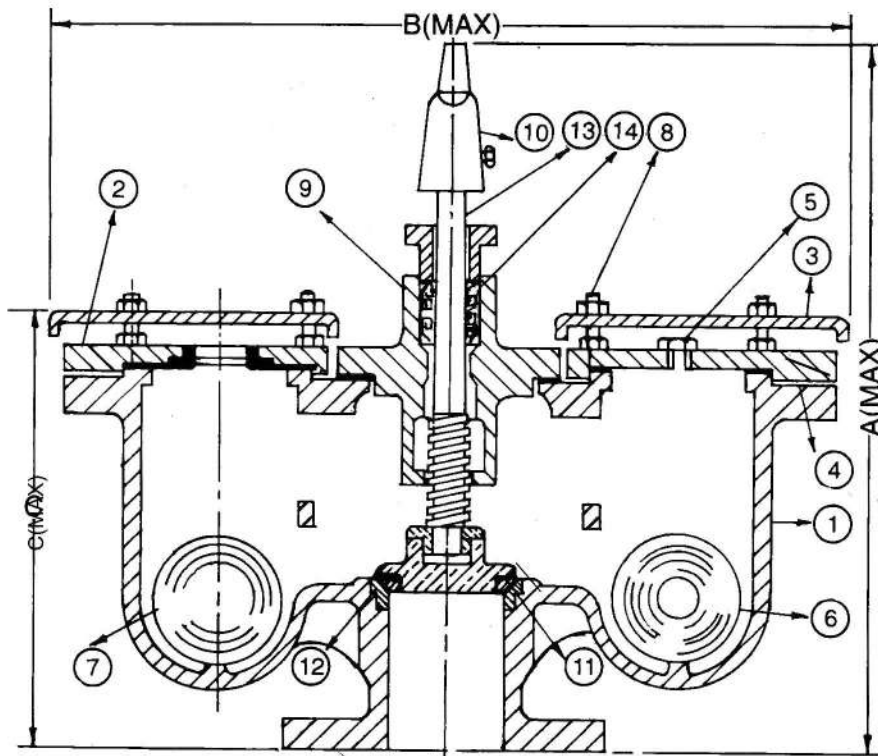
NOTE : All Flanges as per IS : 1538 except otherwise on request .



MINOTI

C. I. DOUBLE AIR VALVES

AS PER G & K CATALOGUE FIG NO.H- 40



This is a combined Double Air Valve with integrated screw down isolating valve. This type of valve is highly suitable during pipe emptying and filling respectively without shutting water off main.

MATERIAL SPECIFICATION

Item No.	Description	Material and Spcn.
1.	Body	C. I., IS.: 210 FG- 200/260
2.	Splash Cover	- do -
3.	Dust Cover	- do -
4.	Gasket	Rubber
5.	Air Nipple	Brass
6.	Float	Seasoned Wood, Natural/Synthetic rubber covered
7.	Float	Seasoned Wood, vulcanite covered
8.	Bolts & Nut	Carbon Steel, IS :1367 C.L.4 & C.L. 4.6
9.	Housing	Cast Iron, IS : 210FG200/260
10.	Cap	- do -
11.	Valve	- do -
12.	Seat Rings	Bronze / S.S.
13.	Spindle	Brass /S.S
14.	Packing	Jute & Hemp ,IS :5414

DIMENSION TABLE

All Dimensions are in m.m.

SIZE	A(MAX)	B (MAX)	C(MAX)
40	352	397X171	197
50	412	470X222	241
80	438	527X222	257
100	521	673X279	318
150	641	806X375	435
200	787	1028X534	578

Hydrostatic Test Pressure

Body	15 & 24 Kg./ Cm ² (g)
Seat	10 & 16 Kg./ Cm ² (g)

NOTE :All Flanges as per IS:1538 except otherwise on request .

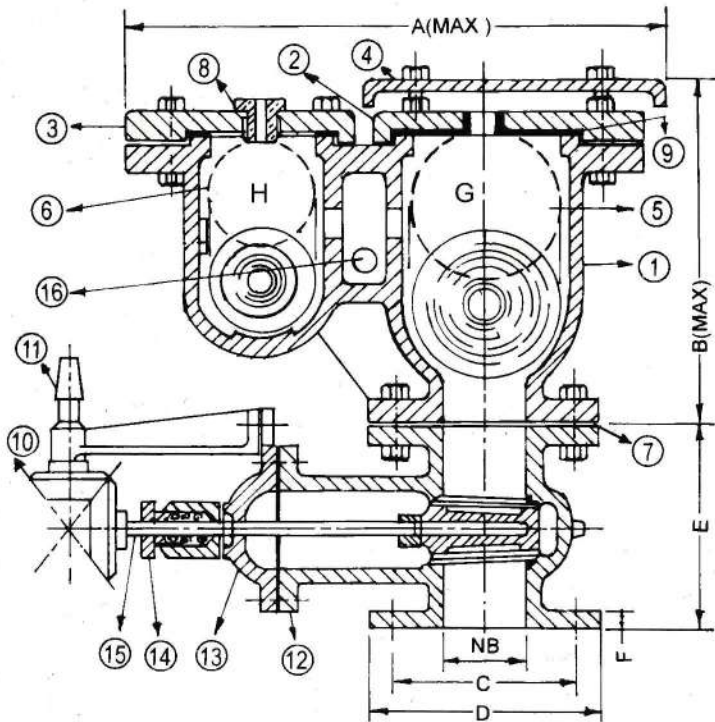


MINOTI

C. I. KINETIC AIR VALVE

AS PER G & K CATALOGUE FIG NO . H - 42K

Kinetic Air Valve is needed to overcome the difficulty which is sometimes happened with the ball in normal large orifice, blowing shut during the filling of water mains at high rates. It is available in Single & Double type both screwed & flanged.



MATERIAL SPECIFICATION

Item No.	Description	Material and Spcn.
1.	Body	C. I. IS.: 210 FG- 200/260
2.	Cover (L Orifice)	- do -
3.	Cover (S Orifice)	- do -
4.	Dust Cover	- do -
5.	Float (L Orifice)	Seasoned Wood, Vulcanite covered
6.	Float (S Orifice)	Seasoned Wood, Natural/Synthetic rubber covered
7.	Gasket	Rubber
8.	Orifice Nipple	Brass/S.S.
9.	Washer	Nitrile Rubber
10.	Bevel Gear	C. I. IS.:210 FG- 200/260
11.	Cap	- do -
12.	Body (Sluice Valve)	- do -
13.	Bonnet	- do -
14.	Gland	- do -
15.	Spindle	Brass/ S.S.
16.	Plug	M. S. (Galvd.)

DIMENSION TABLE

All Dimensions are in m.m.

SIZE	A(MAX)	B(MAX)	C	D	E	F	BALL DIA. G	H	NO. OF BOLT	HOLE DIA
40	330	228	98	133		12.7	92	54	4	14
50	375	254	125	165	215	16	98	76	4	19
80	445	260	160	200	230	21	114	98	4	19
100	445	330	180	220	255	22	127	127	8	19
125	515	400	210	250	266	22.5	140	165	8	19
150	654	482	240	285	280	23	152	203	8	23
200	800	587	295	340	318	24.5	152	254	8	23

Hydrostatic Test Pressure

Body	15 & 24 Kg./ Cm ² (g)
Seat	10 & 16 Kg./ Cm ² (g)

NOTE : All flanges as per IS : 1538 except otherwise on request .



MINOTI ENGINEERING WORKS.

32, BAKSARA ROAD, HOWRAH -711306

Cable : "MINOTICO" Santragachi

Phone : 658 - 6054/1074 (office) 658 - 6088 (Resi.)

Fax : 033-6586054